

ENGLISH
ESPAÑOL



TRUPER®

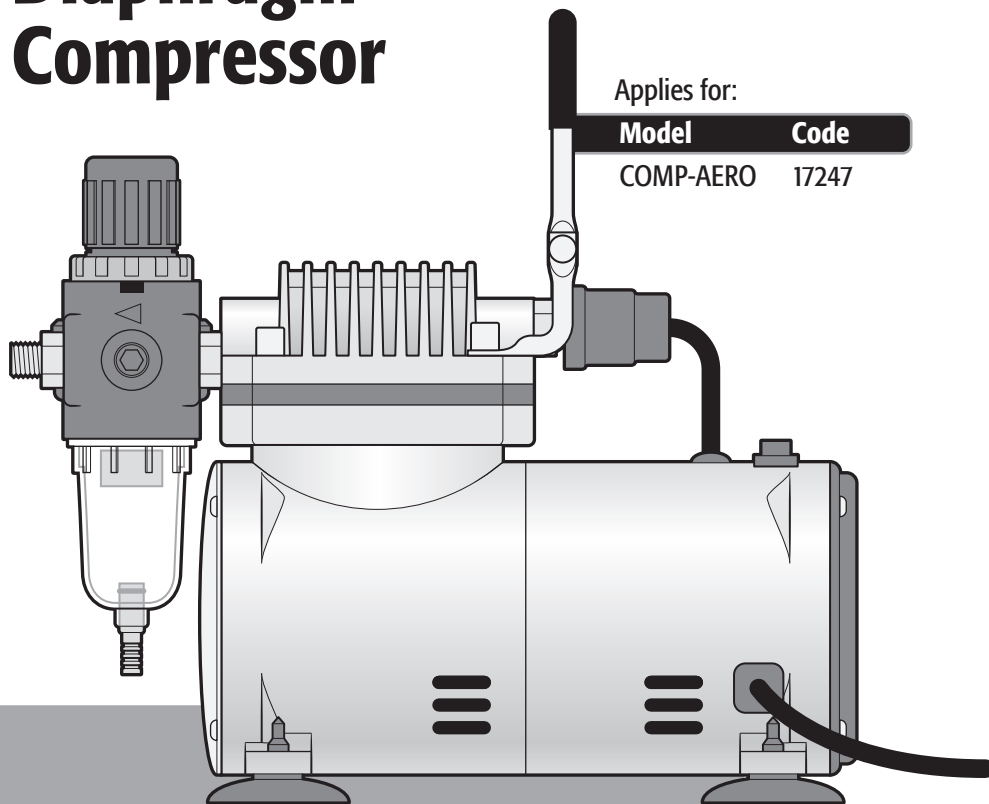
Manual

Airbrush Diaphragm Compressor

58 PSI
Pressure

Applies for:

Model	Code
COMP-AERO	17247



COMP-AERO

CAUTION



Read the user's manual thoroughly before operating this tool.



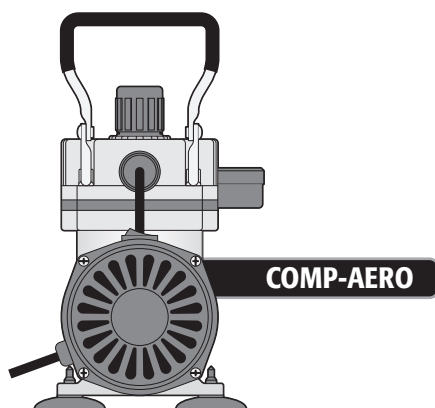
Technical Data	3
Power Requirements	3
 General Power Tool Safety Warnings	4
 Safety Warnings for Compressors	5
Parts	6
Assembly	7
Start Up	7
Maintenance	8
Troubleshooting	8
Notes	9
Authorized Service Centers	10
Branches	12
Warranty Policy	12

 CAUTION

To gain the best performance of the tool, prolong the duty life, make the Warranty valid if necessary, and to avoid hazards of fatal injuries please read and understand this Manual before using the tool.

Keep this manual for future references.

The illustrations in this manual are for reference only. They might be different from the real tool.



Technical Data



COMP-AERO

Code	17247	
Description	Airbrush Diaphragm Compressor	
Voltage	110 V ~	
Frequency	60 Hz	
Power	1/5 Hp	
Maximum Pressure	58 PSI	
Continuous Air Flow	6 gal/min	Output • 1/4-18-NPT
Work Cycle	5 minutes' work per 20 minutes' rest. Maximum 3 hours daily.	
Cable length	5,2 ft	IP Grade • IP20

Power cord grips used in this product: Type "Y".
Tool Build: Class I
Thermal Insulation of Motor Winding: Class F

⚠ WARNING Avoid the risk of electric shock or severe injury. When the power cable gets damaged it should only be replaced by the manufacturer or at a Authorized Service Center. The build quality of the electric insulation is altered if spills or liquid gets into the tool while in use. Do not expose to rain, liquids and/or dampness.

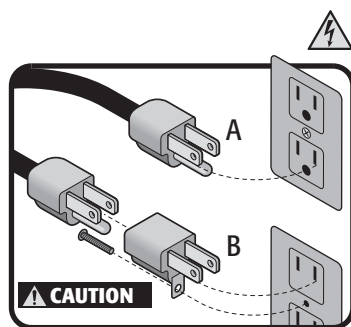
⚠ WARNING Before gaining access to the terminals all power sources should be disconnected.



Power Requirements

⚠ WARNING To prevent electric shock, the tool shall be grounded while in use. • Connect the plug into a correctly grounded outlet as shown in example A. Not all the outlets are properly grounded. If in doubt, verify with a qualified electrician. • If the outlet where you will connect the tool has two poles (2 orifices). **UNDER ANY CIRCUMSTANCE, DO NOT REMOVE OR ALTER THE PLUG'S GROUND CONNECTOR.** Use a temporary adaptor as shown in example B and always connect the ground conductor lug as shown.

⚠ CAUTION When using an extension cable, verify the gauge is enough for the power that the tool needs. A lower gauge cable will cause voltage drop in the line, resulting in power loss and the motor will overheat. The following table shows the right size to use depending on cable's length and the ampere capability shown in the tool's nameplate. When in doubt use the next higher gauge.



Ampere Capacity	Number of Conductors	Extension Gauge	
		From 6 ft to 49 ft	Higher than 49 ft
From 0 and up to 10 A	3 (one grounded)	18 AWG	16 AWG
From 10 and up to 13 A		16 AWG	14 AWG
From 13 and up to 15 A		14 AWG	12 AWG
From 15 and up to 20 A		8 AWG	6 AWG

⚠ WARNING When using power tools outdoors use a grounded extension cable labeled "Outdoors Use". These extension cables are specially manufactured for outdoors use and reduce the risk of electric shock.





⚠️ WARNING! Read carefully all safety warnings and instructions listed below. Failure to comply with any of these warnings may result in electric shock, fire and / or severe damage. **Save all warnings and instructions for future references.**

Work area

Keep your work area clean, and well lit.

Cluttered and dark areas may cause accidents.



Never use the tool in explosive atmospheres, such as in the presence of flammable liquids, gases or dust.

Sparks generated by power tools may ignite the flammable material.



Keep children and bystanders at a safe distance while operating the tool.

Distractions may cause losing control.



Electrical Safety

The tool plug must match the power outlet. Never modify the plug in any way. Do not use any adapter plugs with grounded power tools.

Modified plugs and different power outlets increase the risk of electric shock.



Avoid body contact with grounded surfaces, such as pipes, radiators, electric ranges and refrigerators.

The risk of electric shock increases if your body is grounded.

Do not expose the tool to rain or wet conditions.

Water entering into the tool increases the risk of electric shock.

Do not force the cord. Never use the cord to carry, lift or unplug the tool. Keep the cord away from heat, oil, sharp edges or moving parts.

Damaged or entangled cords increase the risk of electric shock.

When operating a tool outdoors, use an extension cord suitable for outdoor use.

Using an adequate outdoor extension cord reduces the risk of electric shock.

If operating the tool in a damp location cannot be avoided, use a ground fault circuit interrupter (GFCI) protected supply.

Using a GFCI reduces the risk of electric shock.

Personal safety

Stay alert, watch what you are doing and use common sense when operating a tool. Do not use a power tool while you are tired or under the influence of drugs, alcohol or medication.

A moment of distraction while operating the tool may result in personal injury.

Use personal protective equipment. Always wear eye protection.

Protective equipment such as safety glasses, anti-dust mask, non-skid shoes, hard hats and hearing protection used in the right conditions significantly reduce personal injury.



Prevent unintentional starting up. Ensure the switch is in the "OFF" position before connecting into the power source and / or battery as well as when carrying the tool.

Transporting power tools with the finger on the switch or connecting power tools with the switch in the "ON" position may cause accidents.

Remove any wrench or vice before turning the power tool on.

Wrenches or vices left attached to rotating parts of the tool may result in personal injury.

Do not overreach. Keep proper footing and balance at all times.

This enables a better control on the tool during unexpected situations.

Dress properly. Do not wear loose clothing or jewelry. Keep hair, clothes and gloves away from the moving parts.

Loose clothes or long hair may get caught in moving parts.



If you have dust extraction and recollection devices connected onto the tool, inspect their connections and use them correctly.

Using these devices reduce dust-related risks.

Power Tools Use and Care

Do not force the tool. Use the adequate tool for your application.

The correct tool delivers a better and safer job at the rate for which it was designed.



Do not use the tool if the switch is not working properly.

Any power tool that cannot be turned ON or OFF is dangerous and should be repaired before operating.

Disconnect the tool from the power source and / or battery before making any adjustments, changing accessories or storing.

These measures reduce the risk of accidentally starting the tool.

Store tools out of the reach of children. Do not allow persons that are not familiar with the tool or its instructions to operate the tool.

Power tools are dangerous in the hands of untrained users.



Service the tool. Check the mobile parts are not misaligned or stuck. There should not be broken parts or other conditions that may affect its operation. Repair any damage before using the tool.

Most accidents are caused due to poor maintenance to the tools.



Keep the cutting accessories sharp and clean.

Cutting accessories in good working conditions are less likely to bind and are easier to control.

Use the tool, components and accessories in accordance with these instructions and the projected way to use it for the type of tool when in adequate working conditions.

Using the tool for applications different from those it was designed for, could result in a hazardous situation.

Service

Repair the tool in a TRUPER Authorized Service Center using only identical spare parts.

This will ensure that the safety of the power tool is maintained.

Children or people with reduced physical, sensory or mental capabilities shall not operate the tool, neither inexperienced people or without knowledge in the use of the tool, unless supervised by a person responsible of their safety or if receiving previous instructions about the tool operation.

Children shall be kept under supervision to double-check they will not play with the tool. Tight supervision shall be used with children or disabled persons to prevent from using or being close to any household tool.



This tool is in compliance with the Official Mexican Standard (NOM - Norma Oficial Mexicana).

Safety Warnings for Compressors



⚠ CAUTION • Do not aim the air jet towards people or animals.

⚠ WARNING • Do not use the compressor to supply breathing air.

⚠ WARNING • Do not adjust the gauge higher than the maximum pressure labeled in the accessory. Otherwise the compressor may burst.


• Operate the compressor on a leveled surface.
• Keep the compressor well ventilated. Do not cover it while in use.

⚠ CAUTION • The compressor gets hot when working. Do not touch it or allow children come near during or immediately after running it.


• The air hose components may get hot during use. Allow the hose to cool down before disconnecting.

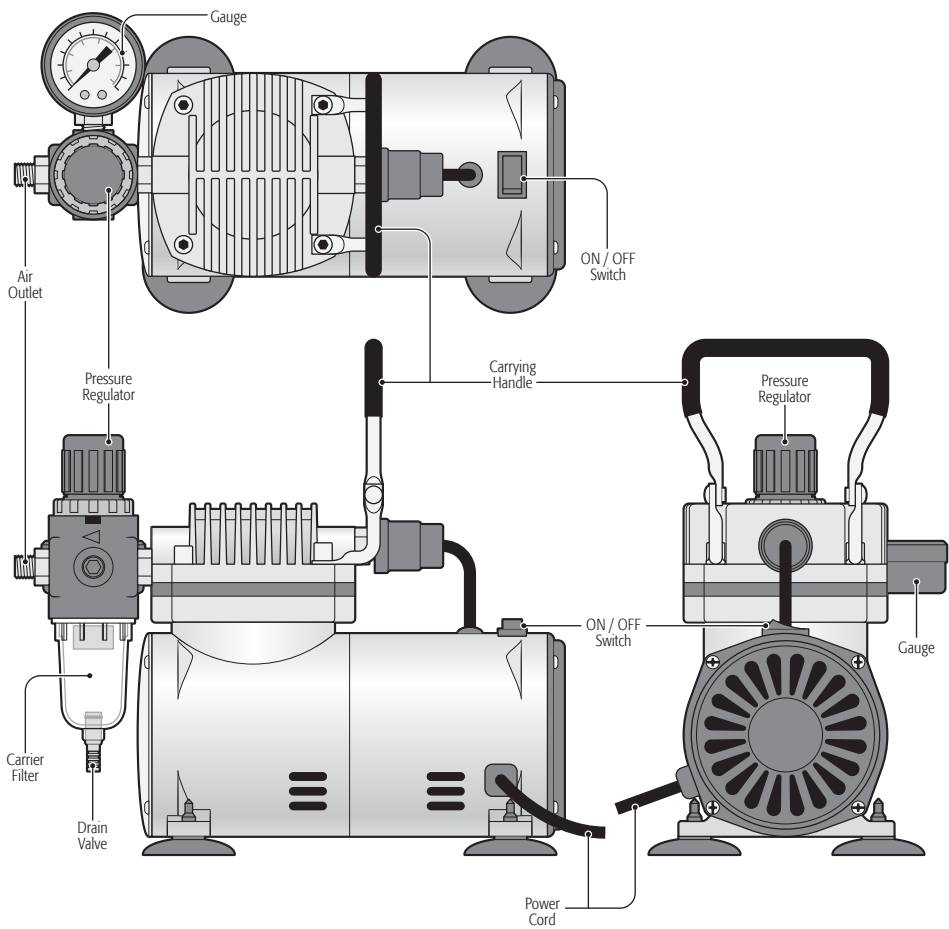
• Do not use the air hose to move the compressor.

• Never leave the compressor plugged while unattended for long periods of time. Disconnect the tool after using it.

• Using accessories different from those recommended by  **TRUPER**® may result in personal injuries.

• Keep in place all the information labels and plates. Important safety information is included. In the event the labels are not easy to read or are missing, contract a

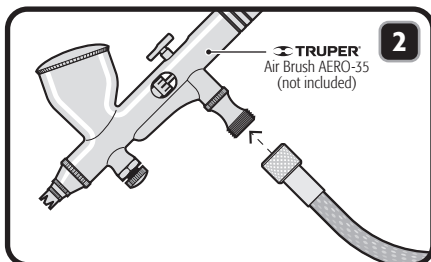
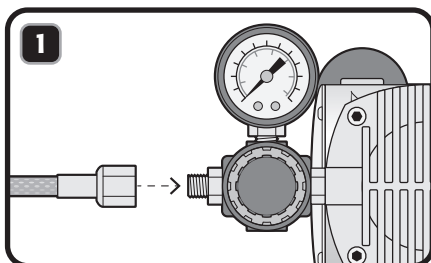
 **TRUPER**® Authorized Service Center to get spare labels or plates.



Assembly

TRUPER®

- Before operating the compressor, double check is set on a flat, leveled and solid surface, with good ventilation and away from flammable objects like drapes, etc.
- Keep at least 12" free space around the compressor to allow air to flow.
- Connect the power cord into the power outlet. Make sure it is not damaged or turned into an obstacle a tripping hazard.
- Connect the end of the air hose (Not included) to the compressor air outlet. (1)
- Connect the other end of the air hose to the air brush inlet (Not included). (2)
- Press the power switch into the "1" position to switch on the compressor. Check there are no leaks in the air connections.
- Turn off the compressor to repair any leak detected.

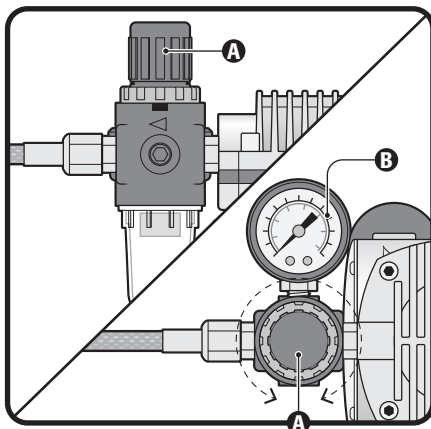


Start Up

CAUTION Use this compressor only with an air brush. Do not use it with any other type of painting equipment.

- Connect the plug into the power source.
- Press the switch into the "1" position to start the compressor.
- Adjust air pressure lifting the pressure regulator (A) to un-block it. Turn it until getting the desired pressure indicated in the gauge (B). Then, press the regulator downwards to block it back.
- When finishing using the compressor, set the switch into the "0" position (off). Release the air remaining inside and disconnect the air brush.
- Carry out maintenance in the air brush following the manufacturer instructions.

Note: The compressor will automatically switch off if hot in excess, or if overloaded. In this case, press the switch into the "0" position and wait for it to cool down before starting it again.



Cleansing and Care

- Always keep the ventilation slots clean and free of obstructions to guarantee the proper cooling of the motor.
- Inspect regularly all the mounting nuts and double check for proper tightness. In case there are loose nuts, tighten immediately.

After Each Use

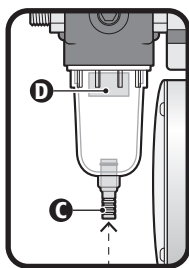
- Drain the water trap: have the compressor running. Raise the drain valve (C) in the bottom of the water trap. This way, humidity condensed inside the compressor is eliminated.

Every Three Months

- Clean the carrier filter element (D) using compressed air.

Service

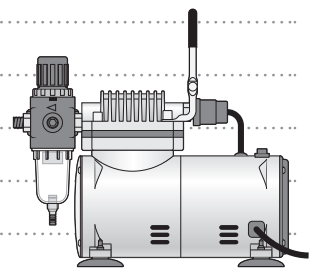
- Service to the tool shall only be carried out in a **TRUPER®** Authorized Service Center. Service and maintenance carried out by non-certified people may result dangerous or cause personal injuries and voids the product warranty.




Troubleshooting

Problem	Cause	Solution
The motor is not running.	<ul style="list-style-type: none"> • There is no power supply. • The power cord is damaged. • The electric wiring inside the unit is defective. • The switch is defective. 	<ul style="list-style-type: none"> • Connect the power cord into a grounded 110 V ~ power outlet. • Take the tool to a TRUPER® Authorized Service Center. • Take the tool to a TRUPER® Authorized Service Center. • Take the tool to a TRUPER® Authorized Service Center.
The motor starts but makes irregular or clacking noises.	<ul style="list-style-type: none"> • A bearing is loose or damaged. • Loose screws in the rod. 	<ul style="list-style-type: none"> • Take the tool to a TRUPER® Authorized Service Center. • Take the tool to a TRUPER® Authorized Service Center.
There is not enough pressure when painting or spraying.	<ul style="list-style-type: none"> • Loose air connection(s). • The air hose is damaged. • The screws in the cylinder cover are loose. 	<ul style="list-style-type: none"> • Check all air connections and tighten as necessary. • Replace the air hose. • Tighten the screws.
The motor is running correctly but there is no air pressure or air supply failure.	<ul style="list-style-type: none"> • The valve plate is out of place. • The retention ring is damaged after excessive use of high pressure. 	<ul style="list-style-type: none"> • Take the tool to a TRUPER® Authorized Service Center. • Take the tool to a TRUPER® Authorized Service Center.

A series of horizontal dotted lines for taking notes, spanning most of the page width.



In the event of any problem contacting a Service Center, please see our webpage www.truper.com to get an updated list, or call our toll-free numbers 01 (800) 690-6990 or 01 (800) 018-7873 to get information about the nearest  **TRUPER** Authorized Service Center.

- AGUASCALIENTES** 671615 **SUPER TOOLS**
ZARAGOZA NO. 1205, COL. EL SOL, AGUASCALIENTES,
AGS. TEL.: 01 (449) 996-5978
- BAJA CALIFORNIA SUR** 670796 **CONTRURENTAS**
PROL. I. ZARAGOZA Y MÁRQUEZ DE LEÓN,
COL. 5 DE FEBRERO, SAN JOSÉ DEL CABO, BCS
TEL.: 01 (624) 142-4595
- CHIHUAHUA** 670052 **PROVIND**
AV. COLEGIO MILITAR No. 4307 A, COL. NOMBRE DE
DIOS C.P. 31100, CHIHUAHUA, CHIH. TEL.: 01 (614)
424-4000
- 671550 **FERRETERÍA AMAYA S.A. DE C.V.**
AV. ORTIZ MENA No. 81, COL. CENTRO C.P. 33800
PARRAL, CHIH. TEL.: 01 (627) 522-2600
- COAHUILA** 670712 **INDUSTRIAL FERRETERA DE MONCLOVA,
S.A. DE C.V.** BLVD. HAROLD R. PAPE No. 1000, COL.
CENTRO C.P. 25700 MONCLOVA, COAH.
TEL.: 01 (866) 632-0174 FAX: 01 (866) 633-0719
- COLIMA** 671742 **SURTIDORA DE FERRETERÍA** AV. ANTONIO
LEAÑO ÁLVAREZ No. 527 COL. PONCIANO ARRIAGA.
TECOMÁN, TEL.: 01 (313) 524-2000 y 7666 FAX: 325-2700
- CHIAPAS** 671770 **TORNILLOS Y HERRAMIENTAS PINEDA 17**
PONIENTE No. 20-A, COL. CENTRO TAPACHULA, CHIAPAS
TEL.: 01 (962) 626-2807
- 671709 **FERRETERA MANDIOLA, S.A. DE C.V.** 5a
NORTE PONIENTE No. 1615-B, COL. MOCTEZUMA,
C.P. 29000, TUXTLA GUTIÉRREZ, TEL.: 01 (961) 602-1544
- 671747 **CENTRO DE SERVICIO DEL SURESTE**
LIBRAMIENTO SUR ORIENTE S/N km 6.5
COL. TRABAJADORES, TUXTLA GUTIÉRREZ, CHIAPAS
TEL.: 01 (961) 223-2350
- 670515 **FERRETERÍA CASUA**
RAMÓN CORONA No. 72, COL. BARRIO SANTA LUCÍA C.P.
29250, SAN CRISTÓBAL DE LAS CASAS, CHIS.
TEL.: 01 (967) 678-6283
- 671601 **MATERIALES DE CONSTRUCCIÓN DE LOS
ALTOS, S.A. DE C.V.** FRANCISCO I. MADERO No.5, COL.
CENTRO, C.P. 29200, SAN CRISTÓBAL DE LAS CASAS,
CHIS.
- 671730 **MATERIALES Y ACEROS BALAM S.A.**
PERIFÉRICO NORTE-PONIENTE No. 50 COL. BISMAR, SN.
CRISTÓBAL DE LAS CASAS TEL.: 01 (967) 678-6162 y 7422
- 670781 **PREFABRICADOS DE PALENQUE, S.A. DE C.V.**
km 1 CARRETERA PALENQUE - PAKAL-NÁ S/N ENTRADA
LIENZO CHARRO C.P. 22960, PALENQUE, CHIS. TEL.: 01
(916) 345-1523 | 345-1533
- MEXICO CITY** 671829 **EL FUERTE DE LAS HERRAMIENTAS S.A. DE
C.V.** PONIENTE 140 No.618 LOCAL B, COL. INDUSTRIAL
VALLEJO, AZCAPOTZALCO, C.P. 02300 TELS.: 01 (55)
5587-7959 y 7731
- 670995 **EL MONSTRUO DE CORREGIDORA S.A. DE
C.V.** CORREGIDORA No.22, COL. CENTRO C.P. 06060
CIUDAD DE MÉXICO TEL.: 01 (55) 5522-4861 | 71 y
01 (55) 5522-5031, FAX: 01 (55) 5522-5021
- 671570 **ADMINISTRADORA FERRETERA, S.A. DE C.V.**
CORREGIDORA No. 76-A, COL. CENTRO C.P. 06060
CIUDAD DE MÉXICO TEL.: 01 (55) 5522-9976 FAX: 01 (55)
5522-9966
- 671131 CERRADA PINO SUAREZ No. 24, COL. ZONA
ESCOLAR C.P. 07250, GUSTAVO A. MADERO, CIUDAD DE
MÉXICO TEL.: 01 (55) 2207-0882
- 671137 **INGENIERÍA SUMINISTROS Y SERVICIOS
INDUSTRIALES** CALZADA DE GUADALUPE No.525-A,
COL. ESTRELLA, C.P. 07810, GUSTAVO A. MADERO,
CIUDAD DE MÉXICO TEL. Y FAX: 01 (55) 5577-9331 |
5781-7079
- DURANGO** 670350 **TORNILLOS ÁGUILA, S.A. DE C.V.**
MASURIO No. 200 ESQUINA GALLO, COL. LUIS
ECHEVERRÍA C.P. 34250, DURANGO, DGO.
TEL.: 01 (618) 817-1946 | 818-2655
- 671671
ENRIQUE CARROLA ANTUNA No. 406 COL. CIÉNEGA,
DURANGO, DGO. TEL.: 01 (618) 825-2710
- ESTADO DE MEXICO** 671600 **ABC DE MATERIALES, S.A. DE C.V.**
VENUSTIANO CARRANZA No. 104 COL. LOS ÁNGELES
TOTOLCINGO, ACOLMAN, EDO. DE MÉXICO
TEL.: 01 (55) 2958-8504
- 671723 **FERRETERA TECAMAC S.A. DE C.V.**
CARR. MÉXICO-PACHUCA km 37.5 TECAMAC, EDO. DE
MÉXICO. TEL.: 5934-6396 y 5934-6271
- 671765 **TLPALERIA CRUZ**
AV. CUAUHTÉMOC No. 3 COL. BO. SAN JOSÉ,
TEQUILQUAC, TEL.: 591-91-203-44
- 671025 **SERVICIO Y VENTA DE HERRAMIENTAS VG**
AV. DE LOS MAESTROS No. 14, COL. LEANDRO VALLE
C.P.54040, TLANEPANTLA DE BAZ, EDO. DE MÉXICO, TEL.:
01 (55) 2628-3120 Y FAX: 01 (55) 5398-2104
- 670050 **ABRASIVOS Y SOLDADURAS ESPECIALES DE
TOLUCA** ISABEL LA CATÓLICA SUR No. 101 ESQ. MIGUEL
HIDALGO COL. STA. CLARA C.P. 50090, TOLUCA, EDO. DE
MÉXICO, TEL.: 01 (722) 773-1117 | 773-1116 | 214-9458,
FAX: 01 (722) 215-2145
- 670514
AV. TEXCOCO No. 354, COL. METROPOLITANA 2A
SECCIÓN C.P. 57740, CD. NEZAHUALCÓYOTL, EDO. DE
MÉXICO, TEL.: 01 (55) 5792-4458
- GUANAJUATO** 670150 **COMPAÑÍA FERRETERA NUEVO MUNDO
S.A. DE C.V.** AV. MÉXICO - JAPÓN No. 225, CD.
INDUSTRIAL C.P. 38010, CELAYA, GTO. TEL. Y FAX: 01 (461)
617-7578 | 617-7579 | 617-7580 | 617-7588
- 670261 **PROVEEDORES DE HERRAMIENTAS**
SINALOA No. 39 COL. MIGUEL HIDALGO
IRAPUATO, GTO. TELS.: 01 (462) 626-3813, 124-8806 FAX:
01 (462) 623-0523
- 671492 **HERRAMIENTAS Y SERVICIOS DE LEÓN S. DE
R.L. DE C.V.** LÓPEZ MATEOS ORIENTE No. 250, COL.
CENTRO C.P. 37000 LEÓN, GTO. TEL./FAX 01 (477) 714-6514
- 671290 **EL GRINGO** LIBRAMIENTO SUR No. 609, COL.
DEL SOL C.P. 37900 SAN LUIS DE LA PAZ, GTO. TEL. Y
FAX: 01 (468) 688-4886
- GUERRERO** 670926 **DISTRIBUIDORA RAGASA, S.A. DE C.V.**
AV. LÁZARO CÁRDENAS No. 908, COL. CENTRO C.P.
40660 CD. ALTAMIRANO, GRO. TEL.: 01 (767) 672-0843
- 671637
LAS PALMERAS No. 48 COL. CENTRO, COYUCA DE
BENÍTEZ, GRO. TEL.: 01 (781) 452-0815
- 671677
MARIANO ABAOLO S/N COL. OMETEPEC CENTRO,
OMETEPEC, GRO. TEL.: 01 (741) 412-1339
- HIDALGO** 670915 **MUNDO TOOL MÉXICO, S.A. DE C.V.** ALLENDE
No. 520, COL. CENTRO C.P. 42000, PACHUCA, HGO. TEL.
Y FAX: 01 (771) 715-0048
- 670640 **SAN ANTONIO MATERIALES PARA
CONSTRUCCIÓN** CARR. MÉXICO-PACHUCA km 81.5
COL. SAN ANTONIO EL DESMORTE, TEL.: 01 (771) 711-
0732
- 670655 **FERREPRECIOS, S.A. DE C.V.** LIBERTAD
ORIENTE No. 304 LOCAL 30, INTERIOR DE PASAJE
ROBLEDO, COL. CENTRO, TULANCINGO, TEL. 01 (775)
753-6615 y 16

JALISCO 670855 **MAGNOCENTRO FERRETERO, S.A. DE C.V.**
AV. LA PAZ No.1180, COL. CENTRO, GUADALAJARA, JAL.
TEL.: 01 (33) 3658-1867 y 59
FAX: 01 (33) 3658-1870

670770 **ACEROS Y MATERIALES DIAZ S.A. DE C.V.** AV.
FRANCISCO ZARCO No. 755, COL. FLORIDA C.P. 47800,
OCOTLAN, JAL. TEL.: 01 (392) 922-4740 | 922-0177

MICHOACÁN 671737 **EQUIPOS Y HERRAMIENTAS PROFESIONALES**
JOSÉ MANUEL DE HERRERA No. 149, COL. CENTRO,
APATZINGÁN, TEL. 01 (453) 534-2204

671766 **SERVICIOS Y HERRAMIENTAS DEL SUR**
AV. 22 DE OCTUBRE No. 303 COL. MIGUEL HIDALGO,
APATZINGÁN, TEL. 01 (453) 534-2033

671830 **MOTOSIERRAS Y SERVICIOS DE MORELIA**
MORELOS NORTE No. 821 COL. CENTRO, MORELIA, C.P.
58000 TEL.: 01 (445) 517-9482

670336 **FERREMAQUINARIA INDUSTRIAL S.A. DE C.V.**
AV. LÁZARO CÁRDENAS No. 241, COL. CENTRO C.P.
60950, CD. LÁZARO CÁRDENAS, MICH.
TEL.: 01 (753) 532-0738 | 532-4396 | 532-2541 FAX:
01 (753) 532-3366

670872 **MATERIALES GARCÍA Y BARRAGÁN S.A. DE C.V.**
IGNACIO ZARAGOZA No. 187 B, COL. CENTRO,
C.P. 61650, TACÁMBARO, MICH. TEL.: 01 (459) 596-0190,
FAX: 01 (459) 596-0700

671130 **HERRAMIENTAS Y SERVICIOS FORESTALES**
DE ZAMORA AV. JUÁREZ No. 213 OTE. ENTRE 5 DE
MAYO Y AQUILES SERDAN, COL. CENTRO C.P. 59600,
ZAMORA, MICH. TEL.: 01 (351) 517-8420

670805 **LA NUEVA FERRETERÍA TRUPER**
GENERAL PUEBLITA No. 356, COL. CENTRO C.P. 58600,
ZACAPU, MICH. TEL.: 01 (456) 363-3351

671115 **HERRAMIENTAS Y SERVICIOS INDUSTRIALES**
DE ZITACUARO NETZAHUALCOYOTL NORTE No. 6, COL.
MOCTEZUMA C.P. 61505, ZITACUARO, MICH.
TEL.: 01 (715) 151-3228

671664
AVENIDA FRANCISCO VILLA No. 31 COL. MORELOS,
URUAPAN, MICH. TEL.: 01 (452) 528-9536

MORELOS 671877 **FERREMATERIALES DURAMAX** km 100 CARR.
MEXICO-ACAPULCO, COL. ALPUYECA, C.P. 62797
TEL.: 01 (777) 678-9069 TEL. / FAX: 01 (777) 678-7956

OAXACA 671625 **MARTÍNEZ BARRANCO, S.A. DE C.V.** AV. LA
PAZ No. 721 COL. CALIFORNIA, OAXACA TEL.: 01 (951)
133-1521

671712 **MUNDO MAKITA** SÍMBOLOS PATRIOS No. 101,
COL. ELISEO JIMÉNEZ RUIZ, OAXACA, OAX

671782 **MIFERRE**
CARR. COSTERA DEL PACÍFICO No. 300, COL. LOS
MANGALES, PUERTO ESCONDIDO TEL.: 01 (954) 582-4218

671794 **AGROBOMBAS ROSARIOS S.A.** AV.
INDEPENDENCIA No. 1323 COL. LA PIRAGUA, TUXTEPEC
C.P. 68300 TEL.: 01 (287) 875-1363

PUEBLA 671420 **DISTRIBUIDORA DE HERRAMIENTAS**
MANUALES ZAVALETA, S.A. DE C.V.
RIVERA ATOYAC No. 325, COL. SANTA CRUZ BUENA VISTA,
C.P. 72810, SAN ANDRÉS CHOLULA, PUE. TEL. / FAX:
01 (222) 249-8592

671211 **SERVITEC**
AV. DE LA JUVENTUD No. 1103 ESQ. 7 SUR, COL. NICÓLAS
BRAVO C.P. 75790, TEHUACÁN, PUE. TEL. / FAX: 01 (238)
371-7200

671822 **TIENDA FIX TEHUACÁN**
AV. SEGUNDA DE MORELOS No. 303, COL. CENTRO,
TEHUACÁN, TEL.: 01 (238) 384-8640

QUERÉTARO 670402 **MOTORES Y HERRAMIENTAS ELÉCTRICAS**
AV. 6 No. 1004-B ESQ. CALLE 19, COL. LOMAS DE CASA
BLANCA C.P. 76080, QUERÉTARO, QRO.
TEL. Y FAX : 01 (442) 167-4733

671265 **FERRETERA PRADO HERRAMIENTAS S.A. DE C.V.**
AV. UNIVERSIDAD No. 325-A, COL. GRANJAS
MANTHI C.P. 76808, SAN JUAN DEL RIO, QRO.
TEL. / FAX : 01 (427) 268-4544

QUINTANA ROO 670046 **CENTRO FERRETERO DE CANCÚN**
AV. COMACALCO No. 12, COL. SUPERMANZANA 59 C.P.
77515, CANCÚN, Q. ROO.
TEL.: 01 (998) 886-8777 | 887-6616

671011
ÁLVARO OBREGÓN No. 281-283 COL. CENTRO,
CHETUMAL, QUINTANA ROO TEL.: 01 (983) 833-2358

671732 **MULTISIERRAS TALICUMI** AVENIDA MIGUEL
HIDALGO No.221 COL. VENUSTIANO CARRANZA,
CHETUMAL.

SAN LUIS POTOSÍ 671636 **95/24 MÉXICO, S.A. DE C.V.** SUC. SLP
AV. UNIVERSIDAD No. 1850 COL. EL PASEO, SAN LUIS
POTOSÍ C.P. 78320 TEL. / FAX: 01 (444) 822-4341

SINALOA 671642
JACARANDAS S/N COL. DEL BOSQUE, GUASAVE, SIN.
TEL.: 01 (687) 871-2636

SONORA 671045 **FERRETERÍA LA ÚNICA**
LÁZARO MERCADO No. 1234 COL. MUNICIPIO LIBRE C.P.
85080 CD. OBREGÓN, SON. TEL. / FAX: 01 (644) 412-9836

TABASCO 671610 **GRUPO VAQUEIRO FERRETERO, S.A. DE C.V.**
PERIFÉRICO CARLOS PELLICER CÁMARA No. 2810 COL.
MIGUEL HIDALGO, VILLAHERMOSA, C.P. 86250 TEL. /
FAX: 01 (993) 116-1901 y 1 EXT. 106

671432 **MERCADO DE LA SOLDADURA DEL SURESTE,**
S.A. DE C.V. BLVD. ADOLFO RUIZ CORTÍNEZ 2001-B,
COL. ATASTA, VILLAHERMOSA, C.P. 86100 TEL.: 01 (935)
161-4820 | 161-4479

TAMAULIPAS 671480 **CONSTRUAMA GÁLVEZ**
REVOLUCIÓN No. 1002, COL. BUENA VISTA C.P. 88120
NVO. LAREDO, TAM. TEL. / FAX: 01 (867) 710-3100

671755 **FERRETERÍA ZANELLA**
AV. TAMAULIPAS No. 713 COL. REVOLUCIÓN VERDE,
TAMPICO, TEL.: 01 (833) 306-6337

TLAXCALA 671684 **SERVICIO JUNIOR**
CALLE 2 DE ABRIL PONIENTE No. 506, COL. CENTRO,
APIZACO, TEL. 01 (241) 112-0996

VERACRUZ 671435 **METALURVE, S.A. DE C.V.** CALLE 18 No. 2117,
FRACC. LOMAS C.P. 94570 CÓRDOBA, VER. TEL.: 01 (271)
714-8584

671478 **TALLER ELÉCTRICO MATHEY**
ATENAS No. 71, COL. NUEVA MINA C.P. 96760
MINATITLAN, VER. TEL. / FAX : 01 (922) 223-5601

671605
HUMBOLT SUR No. 49, COL. CENTRO C.P. 91270 PEROTE,
VER. TEL.: 01 (282) 852-0327 | 825-6408

670397 **LA CASA DISTRIBUIDORA TRUPER**
BLVD. PRIMAVERA, ESQ. CALLE HORTENSIA S/N
PRIMAVERA, C.P. 93308, POZA RICA, VER.
TEL.: 01 (782) 8-23-81-00

671555 **DISTRIBUIDORA SANVER S.A. DE C.V.**
CARRETERA NAL. TUXPAN-TAMPICO km 64,
COL. LA MORITA, TANTOYUCA, C.P. 92101
TEL.: 01 (789) 893-3030

671451 **MAYORISTAS JAGUAR S.A. DE C.V.**
AV. IGNACIO ALLENDE No. 2377 COL. CENTRO,
VERACRUZ, TEL.: 01 (229) 931-1891

671781 **MATERIALES Y ACEROS TUCÁN S.A. DE C.V.**
PROL. AV. MIGUEL ALEMÁN No. 3800 COL. ARTÍCULO
123, VERACRUZ, TEL.: 01 (229) 923-0070

671452 **COMERCIALIZADORA FERRESMAR** CAYETANO
RIVERA No. 47 COL. DEL MAESTRO, VERACRUZ,
TEL. 01 (229) 922-7948
TEL. / FAX: 01 (229) 927-1771

SUCURSAL CENTRO FORÁNEO

AV. PARQUE INDUSTRIAL No. 1-A, JILOTEPEC, ESTADO DE MÉXICO, C.P. 54240
CONMUTADOR: 01 (761) 782-9101 EXT. 5728 y 5102

SUCURSAL CENTRO

CALLE D No. 31-A, COL. MODELO DE ECHEGARAY, NAUCALPAN, EDO. DE MÉXICO, C.P. 53350 TEL.: 01 (55) 5371-3500

SUCURSAL CHIHUAHUA

AV. SILVESTRE TERRAZAS No. 128-11 PARQUE INDUSTRIAL BAFAR, CARRETERA MÉXICO CUAUHTEMOC, CHIHUAHUA, CHIH. TEL.: 01 (614) 43 40 052

SUCURSAL CULIACAN

LIBRAMIENTO BENITO JUÁREZ No. 5599 B4, EJIDO DE LAS FLORES (LA COSTERITA), CULIACÁN, SINALOA, C.P. 80296
CONMUTADOR: 01 (667) 760-5747

SUCURSAL GUADALAJARA

ADOLF BERNARD HORN No. 6800, TLAJOMULCO DE ZÚNIGA, JALISCO, C.P. 45655
CONMUTADOR: 01 (33) 3606-5290

SUCURSAL LAGUNA

CALLE METAL MECÁNICA No. 280, PARQUE INDUSTRIAL ORIENTE, TORREÓN, COAHUILA, C.P. 27278 CONMUTADOR: 01 (871) 209-6825

SUCURSAL MÉRIDA

CALLE 33 No. 600 y 602 LOCALIDAD ITZINCAB Y MUISAY, MUNICIPIO UMAN, MÉRIDA, YUCATÁN, C.P. 97390 CONMUTADOR: 01 (999) 912-2451

SUCURSAL MONTERREY

AV. STIVA No. 275, PARQUE INDUSTRIAL STIVA BARRAGÁN, SAN NICÓLAS DE LOS GARZAS, MONTERREY, NUEVO LEÓN, C.P. 66420
TELS.: 01 (81) 8552-8791 y 8790

SUCURSAL PUEBLA

AV. PERIFÉRICO No. 2-A, SAN LORENZO ALMECATLA, COL. CUAUTLALCINGO, PUEBLA, PUEBLA, C.P. 72710
CONMUTADOR: 01 (222) 2-82-82-82

SUCURSAL TIJUANA

AV. LA ENCANTADA, LOTE No. 5, PARQUE INDUSTRIAL EL FLORIDO II TIJUANA, BAJA CALIFORNIA, C.P. 22244, CONMUTADOR: 01 (664) 969-5100

SUCURSAL VILLAHERMOSA

CALLE HELIO LOTES 1, 2 Y 3 MZNA. No. 1, COL. INDUSTRIAL, 2A ETAPA, VILLAHERMOSA, TAB. C.P. 86010 CONMUTADOR : 01 (993) 353-7244


Model	Code	Brand
COMP-AERO	17247	

Warranty Policy

This product, its parts and components have a one year cover against any defects in material and/or workmanship as well as its function, without expense for the customer. This warranty excludes the following: 1) when product is used under different from normal conditions; 2) usage in breach of the operating manual furnished or; 3) when this product has been altered or repaired by personnel not certified by  **TRUPER®**.

This warranty shall be effective with the supplier selling the product, or at  **TRUPER®** Authorized Service Centers listed in this manual.

This warranty shall be effective when presenting the product and the valid Warranty policy duly stamped by the supplier or the proof of purchase.

To comply with this warranty, Truper will cover transportation expenses in case consumer's address is out of range from  **TRUPER®** Authorized Service Centers listed herein or at the website www.truper.com or at our toll-free numbers: 01 (800) 690-6990 or 01 (800) 018-7873.

In the event of any problem regarding the validity of this warranty please call toll-free numbers mentioned above.

Parts, components, consumables and accessories when applicable may be acquired at  **TRUPER®** Authorized Service Centers listed herein.

Stamp of the business:

Date of purchase:



1
YEAR

Imported by: **TRUPER, S.A. de C.V.**
Parque Industrial No.1, Jilotepec, C.P. 54240, Estado de México, México.
TEL. 01 (761) 782 91 00, (TIN) R.F.C.: THE-791105-HP2

www.truper.com

www.truper.com

Importado por: **Truper, S.A. de C.V.**
 Parque Industrial No. 1, Jilotepec, C.P. 54240, Estado de México, México.
 Tel.: 01 (761) 782 9100, R.F.C.: THE-791105-HP2



1 AÑO

Fecha de entrega:

Sello del establecimiento comercial:

Este producto, sus piezas y componentes están garantizados por un año a partir de la fecha de su entrega, contra cualquier defecto de material y/o mano de obra empleados en su fabricación, así como de su funcionamiento sin costo para el consumidor. Excepto cuando el producto: 1) Se hubiese utilizado en condiciones distintas a las normales; 2) No hubiese sido operado de acuerdo a su instructivo o manual; y 3) Hubiese sido alterado o reparado por personal no certificado por **TRUPER®**.

Para hacer válida esta garantía, deberá presentar el producto y la póliza de garantía vigente debidamente sellada por el establecimiento comercial donde fue adquirido o bien el comprador de compra. Para cualquier duda o aclaración marque a los teléfonos: **01 800-690-6990 ó 01 800-018-7873.**

TRUPER® cubrirá los gastos de transportación del producto para cumplir con la garantía en caso de que el domicilio del consumidor se encuentre fuera de la red de los Centros de Servicio Autorizados por la compañía.

Podrá hacer válida esta póliza de garantía y/o adquirir partes, componentes, consumibles y accesorios del producto en existencia, en el establecimiento donde adquirió el producto o bien en las sucursales **TRUPER®** enlistadas en este instructivo y/o manual en su caso.

Póliza de Garantía

Modelo	Código	Marca
COMP-AERO	17247	TRUPER

SUCURSAL CENTRO FORANEÓ
 AV. PARQUE INDUSTRIAL NO. 1-A, JILOTEPEC, ESTADO DE MÉXICO, C.P. 54240
 CONMUTADOR: 01 (761) 782-9101 EXT. 5728 Y 5102
 C.F. 55350
SUCURSAL CENTRO
 CALLE D NO. 31-A, COL. MODELO DE ECHEGARAY, NAUCALPAN, EDO. DE MÉXICO.
 C.F. 55350 TEL.: 01(55) 5571-5500
SUCURSAL CHIHUAHUA
 AV. SILVESTRE TERREZAS NO. 128-11 PARQUE INDUSTRIAL BARRA CARRETERA MÉXICO GUAHUATEPEC, CHIHUAHUA, CHIH.
 TEL.: 01 (64) 45 40 052
SUCURSAL CUICACÁN
 LIBRAMIENTO BENITO JUÁREZ NO. 5599 B4, FINDO DE LAS FLORES (LA COSTERITA), CUICACÁN, SINALOA, C.P. 80296
 CONMUTADOR: 01 (667) 760-5147

SUCURSAL GUADALAJARA
 ADOLF BERNARD HORN NO. 6800, CONMUTADOR: 01(53) 3606-5290
SUCURSAL LACUNA
 CALLE METAL MECÁNICA NO. 280, PARQUE INDUSTRIAL ORIENTE, TORREÓN, COAHUILA, C.P. 27278 CONMUTADOR: 01 (871) 209-6825
SUCURSAL MÉRIDA
 CALLE 53 NO. 600 Y 602 LOCALIDAD TIZICUAB Y MULSAV, MUNICIPIO UMAN, MÉRIDA, YUCATÁN, C.P. 97590 CONMUTADOR: 01 (999) 912-2451
SUCURSAL MONTERREY
 AV. STIVA NO. 275, PARQUE INDUSTRIAL STIVA BARRAGÁN, SAN NICOLAS DE LOS GARZAS, MONTERREY, NUEVO LEÓN, C.P. 66420
 TELS.: 01(81) 8352-8791 Y 8790

SUCURSAL PUEBLA
 AV. FERRERCO NO. 2-A SAN LORENZO ALMECATEL, COL. CUAUTLALCINGO, PUEBLA, PUEBLA, C.F. 72710
 CONMUTADOR: 01 (222) 2-82-82-82
SUCURSAL TIJUANA
 AV. LA ENCANITADA, LOTE NO. 5, PARQUE INDUSTRIAL EL FLORIDO II TIJUANA, BAJA CALIFORNIA, C.F. 22244, CONMUTADOR: 01 (664) 969-5100
SUCURSAL VILLAHERMOSA
 CALLE HELIO LOTES 1, 2 Y 3 MINZA, NO. 1, COL. INDUSTRIAL 2A ETAPA, VILLAHERMOSA, TAB. C.F. 86010 CONMUTADOR: 01 (993) 355-7244

671265 **FERRERÍA PRADO HERRAMIENTAS S.A. DE C.V.**
 AV. UNIVERSIDAD NO. 525-A, COL. GRANÍAS
 MANTHÍ, C.P. 76808, SAN JUAN DEL RIO, Q.R.O.
 TEL. / FAX: 01(427) 268-4544

670046 **CENTRO FERRERÍA DE CANGÜN**
 AV. COMARCAL NO. 12, COL. SUPERMANZANA 59 C.P.
 77151, CANGÜN, Q. ROO.
 TEL.: 01(998) 886-8777 / 887-6616

671011
 ALVARO ORECCÓN NO. 281-283 COL. CENTRO,
 CHEUMAL, QUINTANA ROO TEL.: 01(983) 833-2358

671732 **MUTUJERAS TALCUMI**
 HIDALGO NO. 221 COL. VENUSTIANO CARRANZA,
 CHEUMAL.

671656 **9574 MÉXICO, S.A. DE C.V. SLP**
 AV. UNIVERSIDAD NO. 1850 COL. EL PASEO, SAN LUIS
 POTOSÍ C.P. 78320 TEL. / FAX: 01(444) 822-4341

671642 **SINALOA**
 JACARANDAS S/N COL. DEL BOSQUE, GUASAVE, SIN.
 TEL.: 01(687) 871-2656

671045 **FERRERÍA LA ÚNICA**
 LAZARO MERCADO NO. 1234 COL. MUNICIPIO LIBRE C.P.
 85800 CD. ORECCÓN, SON. TEL. / FAX: 01(644) 412-9836

671610 **GRUPO VAQUERO FERRERÍA, S.A. DE C.V.**
 PERFÉRICO CARLOS PELICER CÁMARA NO. 2810 COL.
 MIGUEL HIDALGO, VILLAHERMOSA, C.P. 86250 TEL. /
 FAX: 01(993) 116-1901 Y 41 EXT. 106

671422 **MERCADO DE LA SODAPERA DEL SURESTE**
 S.A. DE C.V. BVD. ADOFO RUIZ CORTIÑEZ 2001-B,
 COL. ATASVA, VILLAHERMOSA, C.P. 86100 TEL.: 01(933)
 161-4820 / 161-4479

671480 **CONSTRUAMA GÁLVEZ**
 REVOLUCIÓN NO. 1002, COL. BUENA VISTA C.P. 88120
 NVO. LAREDO, TAM. TEL. / FAX: 01(867) 710-5100

671755 **FERRERÍA ZANELLA**
 AV. TAMULIPAS NO. 713 COL. REVOLUCIÓN VERDE,
 TAMPICO, TEL.: 01(833) 306-6537

671664 **SERVICIO JUNION**
 CALLE 2 DE ABRIL POINIENTE NO. 506, COL. CENTRO,
 APÍZACO, TEL. 01(241) 112-9996

671435 **METALURGA, S.A. DE C.V.**
 FACCC LOMAS C.P. 94570 CORDOBA, VER. TEL.: 01(271)
 714-8584

671488 **TALLER ELÉCTRICO MATHÉY**
 ATENAS NO. 71, COL. NUEVA MINA C.P. 96760
 MINATITLÁN, VER. TEL. / FAX: 01(922) 223-5601

671605
 HUMBOLDT SUR NO. 49, COL. CENTRO C.P. 91270 PEROTE,
 VER. TEL.: 01(282) 832-0327 / 825-6408

670297 **LA CASA DISTRIBUIDORA TRUPER**
 BVD. PIRAMÁVEA, ESQ. CALLE HORTENSIA S/N
 PRIMAVERA, C.P. 93308, POZA RICA, VER.
 TEL.: 01(782) 8-23-81-00

671535 **DISTRIBUIDORA SANVER S.A. DE C.V.**
 CARRETERA NAL. TUXPAN-TAMPICO km 64,
 COL. LA MORITA, TAMPONUCA, C.P. 92101
 TEL.: 01(789) 893-5030

671411 **MAYORISTAS JAGUAR S.A. DE C.V.**
 AV. ICAÑO ALLENDE NO. 2377 COL. CENTRO,
 VERACRUZ, TEL.: 01(229) 931-1891

671781 **MATERIAS Y ACEROS TUCÁN S.A. DE C.V.**
 PROL. AV. MIGUEL ALEMÁN NO. 3800 COL. ARTÍCULO
 123, VERACRUZ, TEL.: 01(229) 923-0070

671482 **COMERCIALIZADORA FERRERAR CAVETANO**
 RIVERA NO. 47 COL. DEL MAESTRO, VERACRUZ,
 TEL. 01(229) 923-7948
 TEL. / FAX: 01(229) 927-1771

670575 **MACCENTRAT FERRERÍA, S.A. DE C.V.**
 AV. LA PAZ NO. 180, COL. CENTRO, GUADALAJARA, JAL.
 FAX: 01(33) 3658-1870 Y 59
 TEL.: 01(33) 3658-1867

670770 **ACEROS MATERIALES DIAZ S.A. DE C.V.**
 OCCOTLÁN, JAL. TEL.: 01(392) 922-4740 / 922-0177
 LEJOSÉ MANUE DE HERRERA NO. 149, COL. CENTRO,
 APAZINGÁN, TEL. 01(453) 534-2204

671757 **EQUIPOS Y HERRAMIENTAS PROFESIONA-**
 APAZINGÁN, TEL. 01(453) 534-2033

671766 **SERVICIOS Y HERRAMIENTAS DEL SUR**
 AV. 22 DE OCTUBRE NO. 303 COL. MIGUEL HIDALGO,
 APAZINGÁN, TEL. 01(453) 534-2033

671830 **MOTOSIERRAS Y SERVICIOS DE MORELIA**
 MORELOS NORTE NO. 821 COL. CENTRO, MORELIA, C.P.
 58000 TEL.: 01(443) 317-9482

670336 **FERRAMQUINARIA INDUSTRIAL S.A. DE**
 C.V. AV. LAZARO CÁRDENAS NO. 241, COL. CENTRO C.P.
 60950, CD. LAZARO CÁRDENAS, MICH.
 TEL.: 01(753) 523-0758 / 522-4396 / 522-2541 FAX:

670287 **MATERIALES GARCÍA Y BARRAGÁN S.A. DE**
 C.V. IGNACIO ZARAGOZA NO. 187 B, COL. CENTRO,
 C.P. 61650, TICHAMBARO, MICH. TEL.: 01(459) 596-0190,
 FAX: 01(459) 596-0700

671730 **HERRAMIENTAS Y SERVICIOS FORESTALES**
 DE ZAMORA AV. JUÁREZ NO. 213 OTE. ENTRE 5 DE
 MAYO Y AQUELES SERDAN, COL. CENTRO C.P. 59600,
 ZAMORA, MICH. TEL.: 01(351) 517-8420

670280 **LA NUEVA FERRERÍA TRUPER**
 GENERAL PUERTAL NO. 356, COL. CENTRO C.P. 58600,
 ZACAPÁN, MICH. TEL.: 01(456) 363-5331

671715 **HERRAMIENTAS Y SERVICIOS INDUSTRIALES**
 DE ZITACUARO NEZTACUARO, COYOTI NORTE NO. 6, COL.
 MOCTEZUMA C.P. 61505, ZITACUARO, MICH.

671664
 AVENIDA FRANCISCO VILLA NO. 31 COL. MORELOS,
 URUAPAN, MICH. TEL.: 01(452) 528-9536

671877 **FERRAMIENTALES DURAMAX**
 MÉXICO-ACAPULCO, COL. ALPACURA C.P. 62797
 TEL.: 01(777) 678-9069 TEL. / FAX: 01(777) 678-7956

671625 **MARTINEZ BARRANCO, S.A. DE C.V.**
 PAZ NO. 721 COL. CALIFORNIA, OAXACA TEL.: 01(951)
 133-1521

671712 **MUNDO MAKITA**
 COL. EUSEBIO JIMÉNEZ RUIZ, OAXACA, OAX.
 TEL.: 01(954) 582-4218

671782 **MIFERRE**
 CARR. COSTERA DEL PACÍFICO NO. 300, COL. LOS
 MANUALES, PUERTO ESCONDIDO TEL.: 01(954) 582-4218

671794 **AGROOMBA ROSARIOS S. A.**
 INDEPENDENCIA NO. 1323 COL. LA PIRAGUA, TUXTEPEC
 C.P. 68300 TEL.: 01(287) 875-1363

671420 **DISTRIBUIDORA DE HERRAMIENTAS**
MANUALES ZAVALETA, S.A. DE C.V.
 RIVERA ATOYAC NO. 325, COL. SANTA CRUZ BUENA VISTA,
 C.P. 72810, SAN ANDRÉS CHOLULA, PUE. TEL. / FAX:

671711 **SERRITEC**
 AV. DE LA JUVENTUD NO. 1103 ESQ. 7 SUR, COL. NICOLÁS
 BRAVO C.P. 75790, TEHUACÁN, PUE. TEL. / FAX: 01(238)
 371-7200

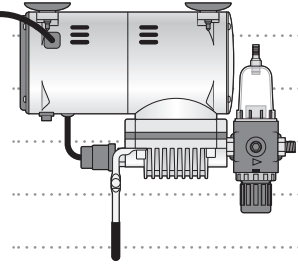
671822 **TENDA FIX TEHUACÁN**
 AV. SECCIÓN DE MORELOS NO. 303, COL. CENTRO,
 TEHUACÁN, TEL.: 01(238) 864-640

670420 **MOTOSIERRAS Y HERRAMIENTAS ELÉCTRICAS**
 BLANCA C.P. 76080, QUERÉTARO, Q.R.O.
 TEL. Y FAX: 01(442) 167-4733

- AGUASCALIENTES**
671615 **SUPER TOOLS**
ZARAGOZA NO. 1205, COL. EL SOL, AGUASCALIENTES,
ACS. TEL: 01 (449) 996-5978
- BAYA**
671796 **CONTRERAS**
PROL. I. ZARAGOZA Y MARQUEZ DE LEÓN,
COL. 5 DE FERRERO, SAN JOSE DEL CABO, BCS
TEL: 01 (624) 142-4595
- CHIHUAHUA**
670025 **PROVINDA**
AG. COLECTIVO MULARA NO. 4307 A COL. NOMBRE DE
DIOS CP. 31100, CHIHUAHUA, CHIH. TEL: 01 (614)
424-4000
- 671520 FERRERÍA AMAYA S.A. DE C.V.**
AV. ORIZ MENA NO. 81, COL. CENTRO C.P. 35800
PARRAL, CHIH. TEL: 01 (627) 522-2600
- COAHUILA**
670712 **INDUSTRIAL FERRERÍA DE MONCLOVA**
S.A. DE C.V. BLD. HAROL R. PAPE NO. 1000, COL.
CENTRO C.P. 25200 MONCLOVA, COAH.
TEL: 01 (866) 652-0174 FAX: 01 (866) 653-0719
- COLIMA**
671742 **SURTIENDA DE FERRERÍA** AV. ANTONIO
LEAÑO ALVAREZ NO. 527 COL. PONCAGANO ARRIBA,
TECOMAN, TEL: 01 (313) 324+2000 Y 7666 FAX: 325-2700
- CHIAPAS**
671720 **TORNILLOS Y HERRAMIENTAS PIEDRA 17**
PONTE NO. 20-A, COL. CENTRO TAPACHULA, CHIAPAS
TEL: 01 (962) 626-2807
- 671709 FERRERÍA MANDIOLA, S.A. DE C.V.** 5a
NORTE PONENTE NO. 1615-B, COL. MOCTEZUMA,
CP. 29000, TUXTLA GUTIÉRREZ, TEL: 01 (961) 602-1544
C.P. 29000, TUXTLA GUTIÉRREZ, TEL: 01 (961) 602-1544
- LIRIAMIENTO SUR ORIENTE S/N km 6.5**
COL. TRABAJADORES, TUXTLA GUTIÉRREZ, CHIAPAS
TEL: 01 (961) 223-2350
- 670515 FERRERÍA CASUA**
RAMÓN CORTA NO. 72, COL. BARRIO SANTA LUCÍA CP.
29250, SAN CRISTOBAL DE LAS CASAS, CHIS.
TEL: 01 (967) 678-6283
- 671601 S.A. DE C.V. FRANCISCO I. MADERO NO.5, COL. CENTRO, C.P. 29200, SAN CRISTOBAL DE LAS CASAS, CHIS.**
- 670995 EL MONSTRUO DE CORREJIDORA S.A. DE C.V.** CORREJIDORA No.22, COL. CENTRO C.P. 06060
CIUDAD DE MÉXICO TEL: 01 (55) 5522-4861 | 71 Y
01 (55) 5522-5031, FAX: 01 (55) 5522-5021
- 671370 ADMINISTRADORA FERRERÍA, S.A. DE C.V.** CORREJIDORA No. 76-A, COL. CENTRO C.P. 06060
CIUDAD DE MÉXICO TEL: 01 (55) 5522-9976 FAX: 01 (55)
5522-9966
- 671151 CERRAMA PINO SUAREZ No. 24, COL. ZONA
ESCOLAR C.P. 0720, CUSTAWO A. MADERO, CIUDAD DE
MÉXICO TEL: 01 (55) 2207-0882**
- 671171 INGENIERÍA SUMINISTROS Y SERVICIOS**
INDUSTRIAS CALZADA DE GUADALUPE NO.525-A,
COL. ESTRELLA, C.P. 0810, CUSTAWO A. MADERO,
CIUDAD DE MÉXICO TEL. Y FAX: 01 (55) 5577-9531 |
5781-7079

- DURANGO**
670520 **TORNILLOS ÁGUILA, S.A. DE C.V.**
MSURINO No. 200 ESQUINA GALLO, COL. LUIS
ECHERRERÍA C.P. 34250, DURANGO, DGO.
TEL: 01 (618) 817-1946 | 818-2655
- 671671**
ENRIQUE CARROLA ANTUNA NO. 406 COL. CIENEGA,
DURANGO, DGO. TEL: 01 (618) 825-2710
- MÉXICO**
671600 **ABC DE MATERIALES, S.A. DE C.V.**
VENUSTIANO CARRANZA No. 104 COL. LOS ANGELES
TOTOTLACÁN, ACOAHULÁN, EDO. DE MÉXICO
TEL: 01 (55) 2958-8504
- 671725 FERRERÍA TECMAC S.A. DE C.V.**
CARR. MÉXICO-PACHUCA km 375 TECMAC, EDO. DE
MÉXICO, TEL: 5934-6596 Y 5934-4671
- 671765 TALLERÍA CRUZ**
AV. CUAHTEMOC No. 3 COL. BO. SAN JOSÉ,
TEQUIXQUAC, TEL: 591-91-205-44
- 671025 SERVICIO Y VENTA DE HERRAMIENTAS VG**
AV. DE LOS MAESTROS No. 14, COL. LEANDRO VALLE
CP.54040, TLANEPANTLA DE BAZ, EDO. DE MÉXICO, TEL:
01 (55) 2628-5120 Y FAX: 01 (55) 5398-2104
- 670050 ABRASIVAS Y SOLDADURAS ESPECIALES DE**
TOLUCA ISABEL LA CATÓLICA SUR No. 101 ESQ. MIGUEL
HIDALGO COL. STA. CLARA C.P. 50090, TOLUCA, EDO. DE
MÉXICO, TEL: 01 (722) 773-1117 | 773-1116 | 214-9458,
FAX: 01 (722) 215-2145
- 670544**
AV. TEXCOCO No. 354, COL. METROPOLITANA 2A
SECCIÓN C.P. 5740, CD. NEZAHUALCÓYOTL, EDO. DE
MÉXICO, TEL: 01 (55) 5792-4458
- 670510 COMPAÑÍA FERRERÍA NUEVO MUNDO**
S.A. DE C.V. AV. MÉXICO - JAPÓN No. 225, CD.
INDUSTRIAL C.P. 88010, CELEVA, GTO. TEL. Y FAX: 01 (461)
617-7578 | 617-7579 | 617-7580 | 617-7588
- 670261 PROVEEDORES DE HERRAMIENTAS**
SINALOA No. 39 COL. MIGUEL HIDALGO
IRAPUATO, GTO. TEL: 01 (462) 626-3813, 124-8806 FAX:
01 (462) 623-0523
- 671492 HERRAMIENTAS Y SERVICIOS DE LEÓN S. DE R.L. DE C.V.** LÓPEZ MAESTROS ORIENTE No. 250, COL.
CENTRO CP. 37000 LEÓN, GTO. TEL./FAX 01 (477) 714-6514
- 671290 EL GRINCO** LIRIAMIENTO SUR No. 609, COL.
DEL SOL C.P. 37900 SAN LUIS DE LA PAZ, GTO. TEL. Y
FAX: 01 (468) 688-4886
- 670926 DISTRIBUIDORA RASQUA S.A. DE C.V.**
AV. LAZARO GARIBAYAN No. 908, COL. CENTRO C.P.
40600 CD. ALTIPLANO, GRO. TEL: 01 (767) 672-0845
- 671657**
LAS PALMERAS No. 48 COL. CENTRO, COYUCA DE
BENITEZ, GRO. TEL: 01 (781) 452-0815
- 671677**
MARIANO ABASOLO S/N COL. OMETEPEC CENTRO,
OMETEPEC, GRO. TEL: 01 (741) 412-1539
- 670195 MUNDO TOL MEXICO, S.A. DE C.V.** ALLENDE
No. 320, COL. CENTRO C.P. 42000, PACHUCA, HGO. TEL.
Y FAX: 01 (771) 717-0048
- 670640 SAN ANTONIO MATERIALES PARA**
CONSTRUCCION CARB. MEXICO-PACHUCA km 81.5
COL. SAN ANTONIO EL DESMONTÉ, TEL: 01 (771) 711-
0722
- 670655 FERRERPECIOS, S.A. DE C.V.** LIBERTAD
ORIENTE No. 504 LOCAL 50, INTERIOR DE PASAJE
ROBLEDO, COL. CENTRO, TULANGINCO, TEL. 01 (775)
753-6615 Y 16

En caso de tener algún problema para contactar un Centro de Servicio consulte nuestra página www.truper.com donde obtendrá un listado actualizado, o llame al teléfono: 01 (800) 690-6990 ó 01 (800) 018-7873 donde le informarán cuál es el Centro de Servicio Autorizado **TRUPER** más cercano.



Solución de problemas

Problema

El motor no funciona.

- No hay corriente eléctrica.
- El cable de alimentación está dañado.
- El sistema eléctrico dentro de la unidad está defectuoso.
- El interruptor está defectuoso.
- Un rodamiento está hecho ruidos irregulares o golpeteos.
- La placa de la válvula está fuera de lugar.
- El anillo de retención está dañado después de uso excesivo a alta presión.

Causa

Solución

- Conecte el cable de alimentación a un tomacorriente que esté funcionando a 110 V ~ y que esté puesto a tierra.
- Lleve la herramienta a un Centro de Servicio Autorizado **TRUPER**.
- Lleve la herramienta a un Centro de Servicio Autorizado **TRUPER**.
- Lleve la herramienta a un Centro de Servicio Autorizado **TRUPER**.
- Revise todas las conexiones de aire y apriételas de ser necesario.
- Cambie la manguera de aire.
- Los tornillos en la cubierta del cilindro están sueltos.

Limpieza y cuidados

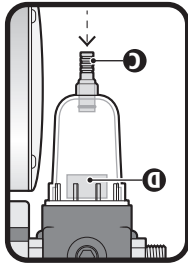
- Siempre mantenga las ventilas limpias y libres de obstrucciones para garantizar un enfriamiento adecuado del motor.
- Inspeccione regularmente todos los tornillos de montaje y asegúrese de que estén apretados correctamente. En caso de que alguno de los tornillos esté suelto, apriételo inmediatamente.

Después de cada uso

- Drene la trampa de agua: con el compresor funcionando, suba la válvula de drenaje (C) al fondo de la trampa de agua. Así la humedad condensada en el interior del compresor será eliminada.

Cada tres meses

- Limpie el elemento del filtro separador (D) con aire comprimido.



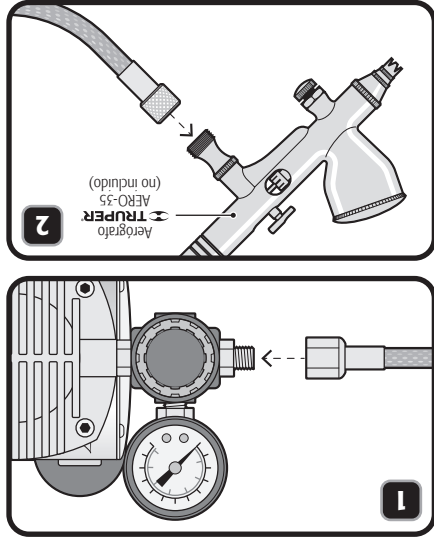
• El servicio de las herramientas debe ser realizado únicamente en un Centro de Servicio Autorizado **TRUPER**. El servicio y mantenimiento realizado por personas no calificadas puede resultar peligroso y llegar a ocasionar daños personales además de invalidar la garantía del producto.

Servicio

Mantenimiento



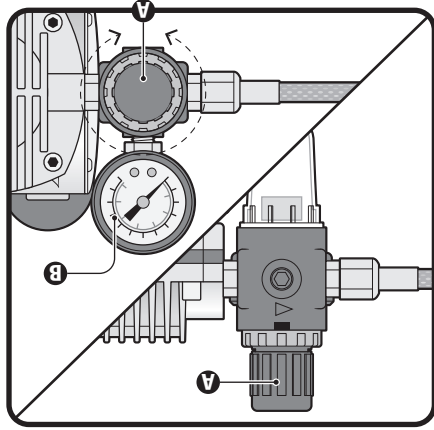
- Antes de operar el compresor asegúrese de colocarlo sobre una superficie plana, nivelada y sólida, con buena ventilación y alejado de objetos inflamables, como cortinas, etc.
- Mantenga un espacio de por lo menos 30 cm (12") alrededor del compresor para permitir la circulación del aire.
- Conecte el extremo de la manguera de aire (no incluida) a la salida de aire del compresor: (1)
- Conecte el otro extremo de la manguera de aire a la entrada el aerógrafo (no incluido): (2)
- Conecte el cable de alimentación en el tomacorriente asegúrandose de que el cable no se convierta en un obstáculo para evitar tropezarse con él o dañarlo.
- Presione el interruptor hacia la posición "I" para encender el compresor y revise que no haya fugas en las conexiones de aire.
- Apague el compresor para reparar cualquier fuga detectada.



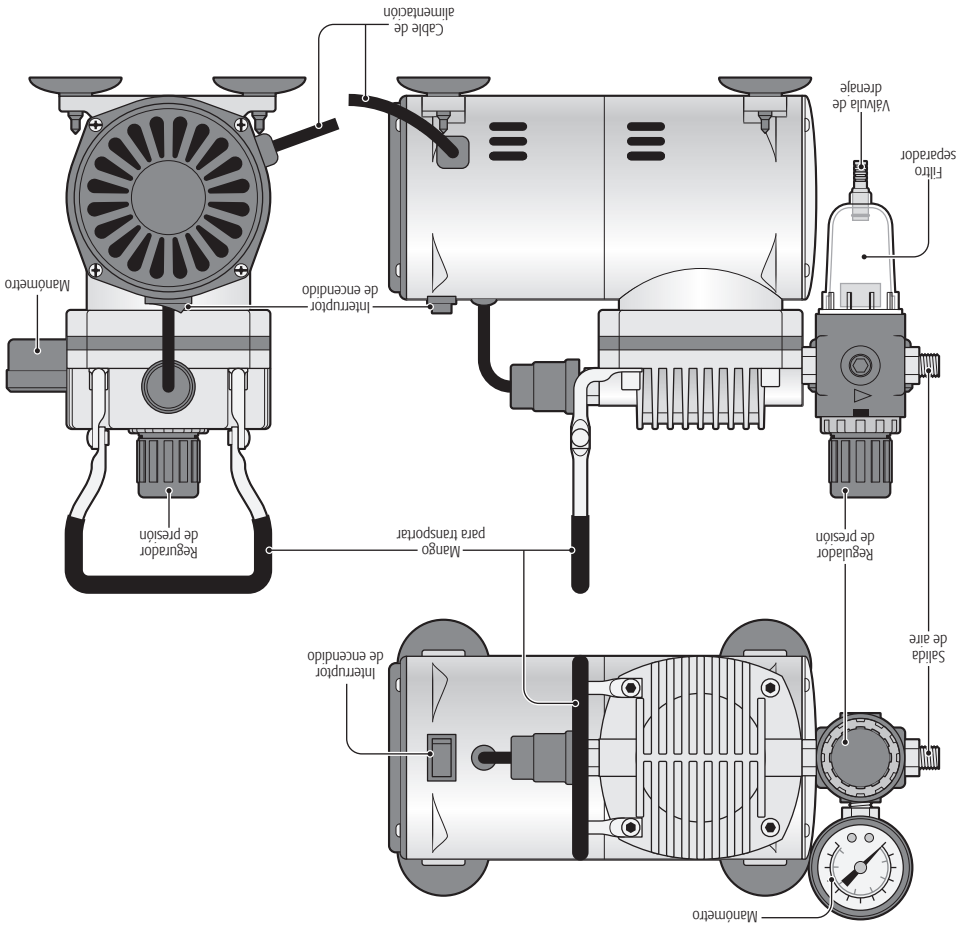
Puesta en marcha

⚠ ATENCIÓN Use este compresor solamente con aerógrafos. No lo use con otro tipo de equipo para pintar.

- Conecte la clavija al tomacorriente.
- Presione el interruptor hacia la posición "I" para encender el compresor.
- Ajuste la presión del aire levantando la perilla del regulador de presión (A) para desbloquearla y gírela hasta conseguir la presión deseada indicada en el manómetro (B), después, presione la perilla del regulador hacia abajo para bloquearla de nuevo.
- Cuando termine de utilizar el compresor, ponga el interruptor en posición "O" (apagado). Libere el aire que queda dentro y desconecte el aerógrafo.
- Dé mantenimiento al aerógrafo de acuerdo con las instrucciones del fabricante.



Nota: El compresor se apagará automáticamente si se calienta en exceso o se sobrecarga, si esto ocurre presione el interruptor hacia la posición "0" y espere hasta que se enfrie antes de encenderlo de nuevo.



Partes

Advertencias de Seguridad para uso de compresores

⚠ ATENCIÓN • No dirija el chorro de aire hacia

personas o animales.

⚠ ADVERTENCIA • No use el compresor para

proporcionar aire para respiración.

⚠ ADVERTENCIA • No regule la presión de salida de

aire a un valor mayor a la presión indicada en el accesorio,

de lo contrario el compresor podría reventar.

• Opere el compresor en una superficie nivelada.

• Mantenga el compresor bien ventilado. No lo cubra

durante su uso.

⚠ ATENCIÓN • El compresor se pone caliente durante

la operación. No lo toque ni permita que los niños se

acerquen durante o inmediatamente después de utilizarlo.

- Los componentes de la manguera de aire pueden calentarse durante el uso. Permita que se enfríen antes de desconectarlas.
- No utilice la manguera de aire para mover el compresor. Cuando esté desatendido por largos periodos de tiempo, desconecte la herramienta después de trabajar con ella.
- El uso de accesorios no recomendados por **TRUPER** puede tener como resultado lesiones personales.
- Mantenga las etiquetas y placas de información. Contienen información importante de seguridad. En caso que no se puedan leer o falten, contacte a un Centro de Servicio Autorizado **TRUPER** para conseguir repuestos.

Los niños deben estar bajo supervisión para asegurarse de que no jueguen con la máquina o cualquier tipo de aparato electrodoméstico o estén cerca de él.
 Debe de mantener una estricta supervisión a niños o personas discapacitadas que lleguen a utilizar la herramienta eléctrica.
 Los niños deben estar bajo supervisión para asegurarse de que no jueguen con la máquina o cualquier tipo de aparato electrodoméstico o estén cerca de él.
 Debe de mantener una estricta supervisión a niños o personas discapacitadas que lleguen a utilizar la herramienta eléctrica.

Servicio
 Repare la herramienta en un Centro de Servicio Autorizado **TRUPER** usando sólo piezas de repuesto idénticas.
 Para mantener la seguridad de la herramienta.

Use la herramienta, sus componentes y accesorios de acuerdo con estas instrucciones y de la manera prevista para el tipo de herramienta, en condiciones de trabajo adecuadas.
 El uso de la herramienta para aplicaciones diferentes para las que está diseñada podría causar una situación de peligro.
 Mantenga los accesorios de corte afilados y limpios.
 Los accesorios de corte en buenas condiciones son menos probables de trabarse y más fáciles de controlar.

Dele mantenimiento a la herramienta. Compruebe que las partes móviles no estén desalineadas o trabadas, que no haya piezas rotas u otras condiciones que puedan afectar su operación. Repare cualquier daño antes de usar la herramienta.
 Muchos accidentes son causados por el escaso mantenimiento de las herramientas.

Almacene las herramientas fuera del alcance de los niños y no permita su manejo por personas no familiarizadas con las herramientas o con las instrucciones.
 Las herramientas eléctricas son peligrosas en manos no entrenadas.
 Estas medidas reducen el riesgo de arrancar la herramienta accidentalmente.
 Desconecte la herramienta de la fuente de alimentación y/o de la batería antes de efectuar cualquier ajuste, cambiar accesorios o almacenarla.

No use la herramienta si el interruptor no funciona.
 Cualquier herramienta eléctrica que no pueda encenderse o apagarse es peligrosa y debe repararse antes de ser operada.
 No fuerce la herramienta. Use la herramienta adecuada para el trabajo a realizar.
 La herramienta adecuada hace un trabajo mejor y más seguro cuando se usal ritmo para el que fue diseñado.

Use y cuidados de la herramienta
 No fuerce la herramienta. Use la herramienta adecuada para el trabajo a realizar.
 La herramienta adecuada hace un trabajo mejor y más seguro cuando se usal ritmo para el que fue diseñado.
 Vista adecuadamente. No vista ropa suelta o joyas. Mantenga su pelo, sus ropas y guantes alejados de las piezas en movimiento.
 La ropa o el pelo sueltos o las joyas pueden quedar atrapados en las piezas en movimiento.
 En caso de contar con dispositivos de extracción y recolección de polvo conectados a la herramienta, verifique sus conexiones y líelos correctamente.
 El uso de estos dispositivos reduce los riesgos relacionados con el polvo.
 Este permite un mejor control de la herramienta en situaciones inesperadas.
 No sobrepase su campo de acción. Mantenga ambos pies asentados sobre el suelo y conserve el equilibrio en todo momento.
 Vista adecuadamente. No vista ropa suelta o joyas. Mantenga su pelo, sus ropas y guantes alejados de las piezas en movimiento.
 La ropa o el pelo sueltos o las joyas pueden quedar atrapados en las piezas en movimiento.

ADVERTENCIA! Lea detenidamente todas las advertencias de seguridad y todas las instrucciones que se enlistan a continuación. La misión de TRUPER es garantizar la seguridad y el bienestar de sus usuarios. Conserve las advertencias y todas las instrucciones para futuras referencias.

Advertencias generales de seguridad para herramientas eléctricas

Retire cualquier llave o herramienta de ajuste antes de arrancar la herramienta eléctrica.
 Las llaves o herramientas que quedan en las partes rotativas de la herramienta pueden causar un daño personal.

Evite arranques accidentales. Asegúrese de que el interruptor esté en posición "apagado" antes de conectar la fuente de alimentación y/o a la batería o transportar la herramienta.
 Transportar herramientas eléctricas con el dedo sobre el interruptor o conectar herramientas eléctricas que tienen el interruptor en posición de "encendido" puede causar accidentes.



Seguridad personal
 Está alerta, víbale lo que está haciendo y use el sentido común bajo la influencia de drogas, alcohol o medicamentos.
 Un momento de distracción mientras maneja la herramienta puede causar un daño personal.
 Use equipo de seguridad. Use siempre protección para los ojos. Use de equipo de seguridad como lentes de seguridad, mascarilla antipolvo, zapatos antistáticos, casco y protección para los oídos en condiciones apropiadas, reduce de manera significativa los daños personales.
 Evite arranques accidentales. Asegúrese de que el interruptor esté en posición "apagado" antes de conectar la fuente de alimentación y/o a la batería o transportar la herramienta.
 Transportar herramientas eléctricas con el dedo sobre el interruptor o conectar herramientas eléctricas que tienen el interruptor en posición de "encendido" puede causar accidentes.

Si el uso de la herramienta en un lugar húmedo es inevitable, use una alimentación protegida por un interruptor de circuito de falla a tierra (GFCI).
 El uso de un GFCI reduce el riesgo de choque eléctrico.

Cuando maneje una herramienta en exteriores, use una extensión especial para usos en exteriores.
 El uso de una extensión adecuada para exteriores reduce el riesgo de choque eléctrico.

No exponga la herramienta a la lluvia o condiciones de humedad.
 El agua que ingresa en la herramienta aumenta el riesgo de choque eléctrico.

Evite el contacto del cuerpo con superficies puestas a tierra como tuberías, radiadores, cocinas eléctricas y refrigeradores.
 Hay un mayor riesgo de choque eléctrico si el cuerpo está puesto a tierra.

La clavija de la herramienta debe coincidir con el tomacorriente. Nunca modifique una clavija. No use ningún tipo de adaptador para clavijas de herramientas puestas a tierra.
 Clavijas modificadas y enchufes diferentes aumentan el riesgo de choque eléctrico.

Seguridad eléctrica
 La clavija de la herramienta debe coincidir con el tomacorriente. Nunca modifique una clavija. No use ningún tipo de adaptador para clavijas de herramientas puestas a tierra.
 Clavijas modificadas y enchufes diferentes aumentan el riesgo de choque eléctrico.

Área de trabajo
 Mantenga el área de trabajo limpia y bien iluminada.
 Las áreas desordenadas y oscuras son propensas a accidentes.
 No maneje la herramienta en ambientes explosivos, como en presencia de líquido, gas o polvo inflamables.
 Las herramientas eléctricas producen chispas que pueden encender material inflamable.
 Mantenga alejados a los niños y curiosos cuando opere la herramienta.
 Las distracciones pueden hacer que pierda el control.

Alguna de ellas puede dar como resultado un choque eléctrico, incendio y/o daño serio.



Especificaciones técnicas



COMP-AERO

• Código	17247
• Descripción	Compresor de diafragma para aerógrafo
• Tensión	110 V ~
• Frecuencia	60 Hz
• Potencia	150 W
• Máxima presión	399,8 kPa (58 PSI)
• Flujo continuo de aire	23 l/min
• Ciclo de trabajo	5 minutos de trabajo por 20 minutos de descanso. Máximo 3 horas diarias.
• Largo del cable	1,6 m
• Grado IP	IP20

El cable de alimentación tiene sujeta-cables tipo: Y
La clase de construcción de la herramienta es: Clase I
La clase de aislamiento térmico de los devanados del motor: Clase F

ADVERTENCIA

Si el cable de alimentación se daña, éste debe ser reemplazado por el fabricante o Centro de Servicio Autorizado **TRUPER**, con el fin de evitar algún riesgo de descarga o accidente considerable. La construcción del aislamiento eléctrico de esta herramienta es alterado por saipicaduras o derramamiento de líquidos durante su operación. No la exponga a la lluvia, líquidos y/o humedad.

ADVERTENCIA

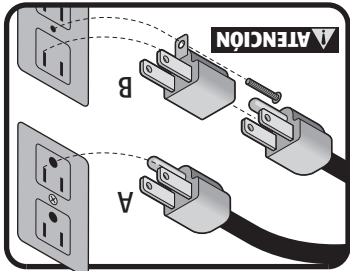


Antes de obtener acceso a las terminales, todos los circuitos de alimentación deben ser desconectados.

Requerimientos eléctricos

ADVERTENCIA

La herramienta debe ser conectada a tierra mientras esté en uso para evitar una descarga eléctrica.



ADVERTENCIA

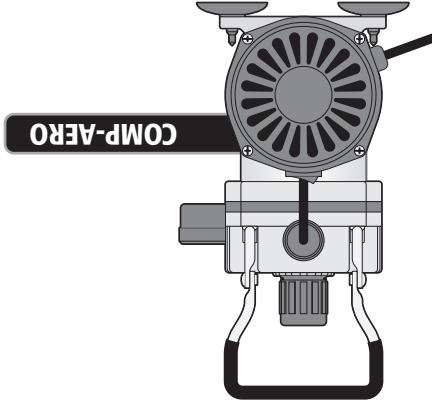
• Enchufe la clavija dentro de un conector o enchufe apropiadamente aterrizado como se muestra en el ejemplo **A**. No todos los contactos o enchufes están propiamente aterrizados, si no está seguro verifique con un eléctrico calificado. • Si el contacto que planea usar para su herramienta es de 2 polos (2 orificios), NO REMUEVA O ALTERE EL CONDUCTOR DE TIERRA DE SU CLAVIJA POR NINGÚN MOTIVO. Utilice un adaptador temporal como se muestra en el ejemplo **B** y siempre conecte la oreja del conductor de tierra como se indica. Al usar un cable de extensión, asegúrese de usar el calibre suficiente para transportar la corriente que consumirá su herramienta. Un cable de un calibre inferior ocasionará caídas de tensión en la línea, teniendo como resultado pérdida de potencia y sobrecalentamiento del motor. La siguiente tabla muestra el tamaño correcto que debe usarse dependiendo de la longitud del cable y de la capacidad de amperes indicada en la placa de datos de la herramienta. Si tiene dudas use el siguiente calibre más alto.

Capacidad en Amperes	Número de conductores	Calibre de extensión
de 0 A hasta 10 A	18 AWG	mayor de 15 m
de 10 A hasta 13 A	16 AWG	de 1,8 m a 15 m
de 13 A hasta 15 A	14 AWG	mayor de 15 m
de 15 A hasta 20 A	8 AWG	mayor de 15 m

ADVERTENCIA

Al operar herramientas eléctricas en exteriores, utilice una extensión aterrizada marcada como "Uso exterior" marca **VOLTECK**. Estas extensiones son especiales para el uso en exteriores y reducen el riesgo de sufrir una descarga eléctrica.





COMP-AERO

- 3 Especificaciones técnicas.
- 3 Requerimientos eléctricos.
- 4 Advertencias generales de seguridad para herramientas eléctricas.
- 4 Advertencias de Seguridad para uso de compresores.
- 6 Partes.
- 7 Ensamble.
- 7 Puesta en marcha.
- 8 Mantenimiento.
- 8 Solución de problemas.
- 9 Notas.
- 10 Centros de Servicio Autorizados.
- 12 Sucursales.
- 12 Póliza de Garantía.

Para poder sacar el máximo provecho de la herramienta, alargar su vida útil, hacer válida la garantía en caso de ser necesario y evitar riesgos o lesiones graves, es fundamental leer este instructivo por completo antes de usar la herramienta.

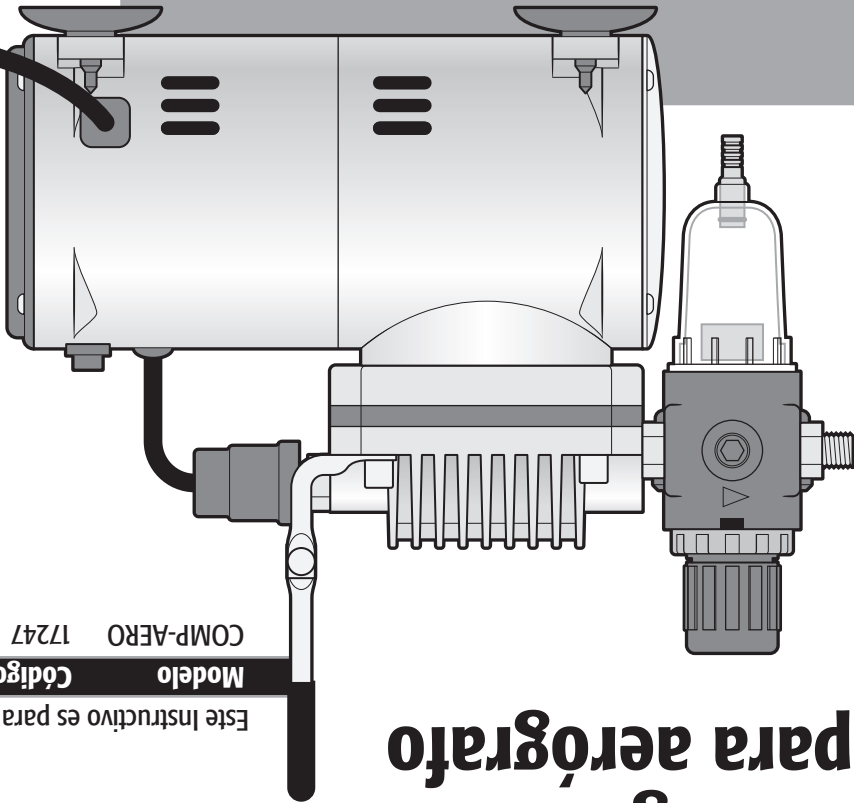
Guarde este instructivo para futuras referencias. Los gráficos de este instructivo son para referencia, pueden variar del aspecto real de la herramienta.

ATENCIÓN

Instructivo de

Compresor de diáfragma para aerógrafo

Este Instructivo es para:
Modelo COMP-AERO
Código 17247



COMP-AERO



ATENCIÓN

Lea este Instructivo por completo
antes de usar la herramienta.



399,8 kPa
58 PSI

Presión